

High Frame Rate USB3.0 Camera

ARTCAM-2000CMV-USB3

100fps!



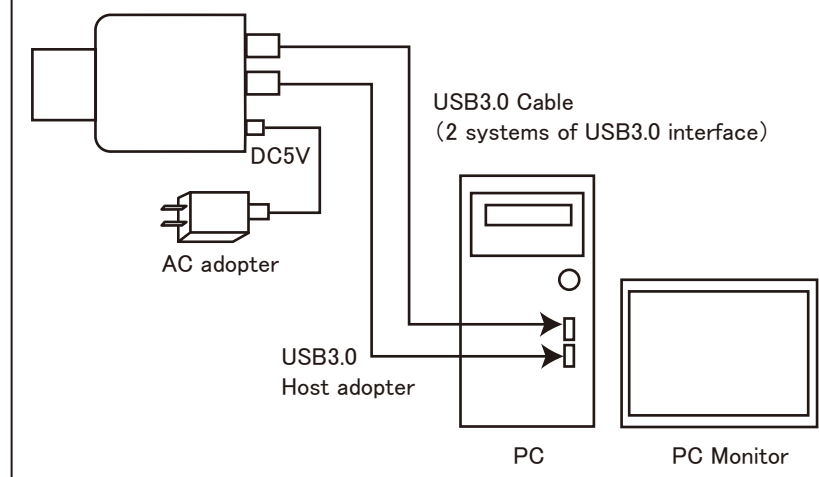
- With high resolution of 2.0 Mega Pixel, frame rate can also reaches 100 fps.
- CMOS Global shutter
- USB3.0 Interface



Specification

- * Sensor Type : CMOS(Color/Monochrome)
- * Interface : USB3.0
- * Sensor Manufacturer : CMOSIS
- * Shutter Type : Global Shutter
- * Optical Format : 2/3"
- * Resolution : 2048(H) x 1088(V)
- * Active Imager Size : 11.26(H)x5.98(V)mm
- * Pixel Size : 5.5(H) x 5.5(V) μ m
- * Sensitivity : 4.64V/Lux-sec
- * Color Filter Array : RGB
- * Lens Mount : C Mount(Not Included)
- * Frame Rate : 100fps
- * Power Supply : DC5V
- * Options : Software Development Kit(SDK), 2D measurement software, Recording software

How to connect a camera



TUV100 01 0310

ARTRAY CO., LTD.

1-17-5 Kouenjikota Suginami-Ku Tokyo 166-0002, Japan

TEL : +81-3-3389-5488 FAX: +81-3-3389-5486

Email : sales@artray.us URL : www.artray.us

- ARTCAM is ARTRAY's registered trademark.
- We might change product's specifications without announcement.
- Sorry for inconvenience in advance.