

November 12, 2020  
Ver1.01

# USB2.0 Ultraviolet CCD CAMERA

## ARTCAM-407UV-WOM Series

### INSTRUCTION BOOKLET

1.5 M pixels      ARTCAM-407UV-WOM Series

**ARTRAY**  
ARTRAY CO., LTD.

## Contents

1. Attention.....	3
2. Introduction.....	6
3. Main Features.....	6
4. The Product.....	7
5. Connect the Camera.....	8
6. Specifications.....	9
7. External Dimensions.....	10
8. Spectral Sensitivity Characteristics.....	13
9. Ultraviolet Transmitting, Visible Absorbing Filter Characteristics.....	13
10. AD Conversion.....	14
11. Optional Functions.....	15
12. System Requirements.....	17

# 1. Attention

## ■About this manual

1. Before using the camera, please read this manual thoroughly.
2. Please keep this manual reachable and always refer to the contents when needed.
3. Please contact us if the manual is lost or damaged. We will provide an replacement.
4. We cannot guarantee the safety of improper uses of the camera.
5. For your safety, please follow the directions of this manual.
6. All contents are subject to change.
7. Images in this manual may have been simplified to be easier comprehended.
8. Please contact us if you find any unclear points or mistakes in this manual.
9. Quoting, copying or altering some or all parts of the manual without our permission is prohibited.
10. We are not responsible for any lost or damages on your profits due to the use of our products.
11. Please understand that our oversea branches do not provide maintenance or repair services.

## ■About the Icons

To keep the safety of the user, other people and their properties, please pay attention to the following icons.



## Warning

If the user fails to follow the instruction, serious injury or death may occur.



## Caution

If the user fails to follow the instruction, physical injury on human or damages on hardware may occur.

#### ■For Safe Use



## Warning

●In following circumstances, please stop using the product and turn off the power immediately to prevent the risks of fires and electric shocks. If the product is defective, please contact us for repair or exchange. For your safety, please do not disassemble, modify or repair the camera on your own.

Please stop using the product and turn off the power immediately when:

- The product becomes smoky or gets extremely hot on the surface, or makes unusual smells or sounds.
- Foreign material or water gets into the product.
- The product falls and becomes damaged.

●Do not place the product on unstable surfaces. The product may be fallen and people may get hurt.



## Caution

●Do not expose the product to steam or fumes to avoid electric shocks and fires.

●Do not leave the product in high temperature places such as inside of vehicles or under direct sunlight. High temperature may cause damages to the camera, or even cause fires.

●Do not cover the product with cloth or other materials. The product may get extremely hot and the heat may cause deformations on the parts or even cause fires.

●Please avoid dropping or shocking the product as the product may be damaged.

●Do not touch the cable with a wet hand. Such action may cause electric shocks.

●Please avoid continuously contacting the surface of the camera to your skin when the camera is being used. The surface temperature of the camera may cause burns.

#### ■Other Notices

●Please do not use the camera under strong lights such as sun light for a long period. Also please do not expose the camera under strong lights even when the product is not being used because the sensor might be damaged.

#### Maintenance

● Wipe the dirt on surface with soft cloth or tissue paper. Do not use alcohol, thinner or benzene to avoid damaging the surface paints.

#### Electro Magnetic Interference

●The camera may interference with electronic devices such as TV and radio. Please do not place the camera next to such equipment.

## ■Export Control

The Government of Japan controls military sensitive goods and technologies including relevant dual-use goods and technologies.

This product is a Catch-all Control item subject to the Foreign Exchange and Foreign Trade Act and its relevant legislations. Except for exporting to the 26 white countries designated in the Cabinet Order, export licenses are required if the products are going to be used for military use or if the end user of the product is related to all kinds of military activities. If your circumstances cause the need to apply export licenses, please notify us before you place orders. Also, please notify us in advance if the end users or purposes of use change after the purchase and thus cause the need to apply export licenses.

\*The 26 white countries not under the UNSC Arms Embargo:

Argentina, Australia, Austria, Belgium, Bulgaria, Canada, Czech Republic, Denmark, Finland, France, Germany, Greece, Hungary, Ireland, Italy, Luxemburg, Netherlands, New Zealand, Norway, Poland, Portugal, Spain, Sweden, Switzerland, United Kingdom, and United States

About the Japanese Security Export Controls, please refer to the webpage for Security Export Control Policy, The Ministry of Economy, Trade and Industry:

<http://www.meti.go.jp/policy/anpo/englishpage.html>

## ■Guarantee

To save the environment, we do not issue warranty in printed format. Instead, all records of the warranty periods, delivery dates and the customer information are well kept in our system.

For more details, please refer to the sites below:

Hardware Warranty : [http://www.artray.us/download/artray\\_warranty.pdf](http://www.artray.us/download/artray_warranty.pdf)

## 2. Introduction

The ARTCAM-407UV-WOM is camera adopting a CCD sensor equipped sensitivity of ultraviolet. The area of visible light is hardly recognized based on its combination with UV lighting equipment and it easily reflects blur, stain and scratch on the surface of objects.

This series adopt USB2.0 interface, so the data can be delivered to PC directly without a capture board.

Cameras are equipped with on board memory which avoid data missing during transfer.

We provide a variety including cased cameras, board cameras which can be easily incorporated to other equipment, and so on.

## 3. Main Features

- High Resolution, High Frame Rate

With high resolution of 1360(H) x 1024(V) pixels, the frame rate can reach 12fps.

- USB2.0 Interface

Our cameras adopt USB2.0 interface, so the data can be delivered to PC directly and no capture board is needed.

- Small and Light

Our cameras are small and light, thus can be easily installed according to your desires.

Also, the board type camera with small type board lens is easy to be incorporated with other machines.

- Varieties to Your Needs

We provide a variety including cased cameras, board type cameras, C-Mount board type cameras.

Also, we provide color and monochrome models to meet customers' needs.

- Bounded Viewer Software

We provide the Viewer Software - ART-Viewer (Windows 7/8/10).

With this software, users can easily preview, save images and change camera settings.

- 2D Measurement & Filing Software(Optional)

Useful 2D measuring functions are available with the optional 2D Measuring & Filing Software - ART-MEASURE.

- Software Development Kit(Optional)

For customer who prefers to create their own image processing software or use our camera with other applications, we provide SDK upon requests.

## 4. The Product

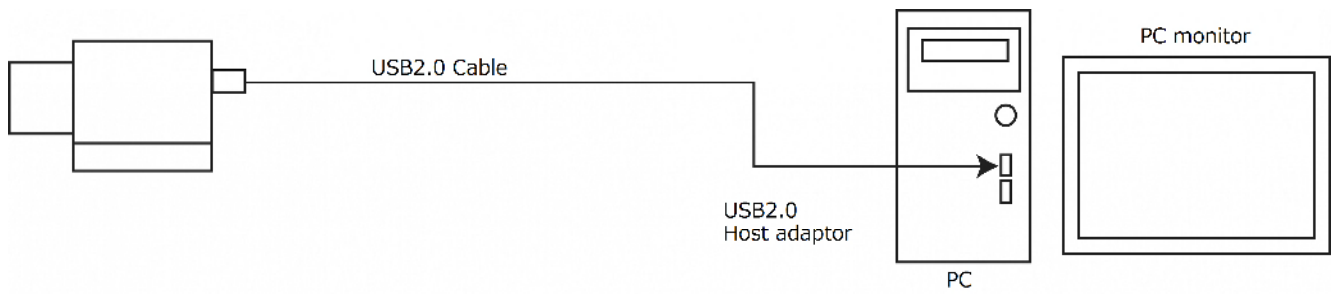
- 1) Camera
- 2) USB Cable      Type A-B connector cable, 3m approx.  
    \*A type-A connector (3m) is attached for an open frame model without USB connector.
- 3) Introduction Booklet
- 4) Viewer software/Device Driver CD

### <Options>

- 1) C Mount lens
- 2) 2 Measurement & Filing Software [ART-MEASURE]
- 3) Software Development Kit [ARTCCM-SDK]
- 4) LabView DLL
- 5) 5m extension cable with USB2.0 repeater

## 5. Connect the Camera

### 5-1 How to connect a camera



### 5-2 Shutter Speed

Shutter speed can be changed on the standard viewer software ART-Viewer.

The shutter speed is set directly on the sensor register, so please refer to the following formulas for the real exposure time.

Model	Method
407UV-WOM Series	Range : 7~1074(Exposure Time : 1/58824~1/12.5 sec) Exposure Time= ((1074 – Shutter Value)×1790+424)×0.042 [μsec] *at 24MHz

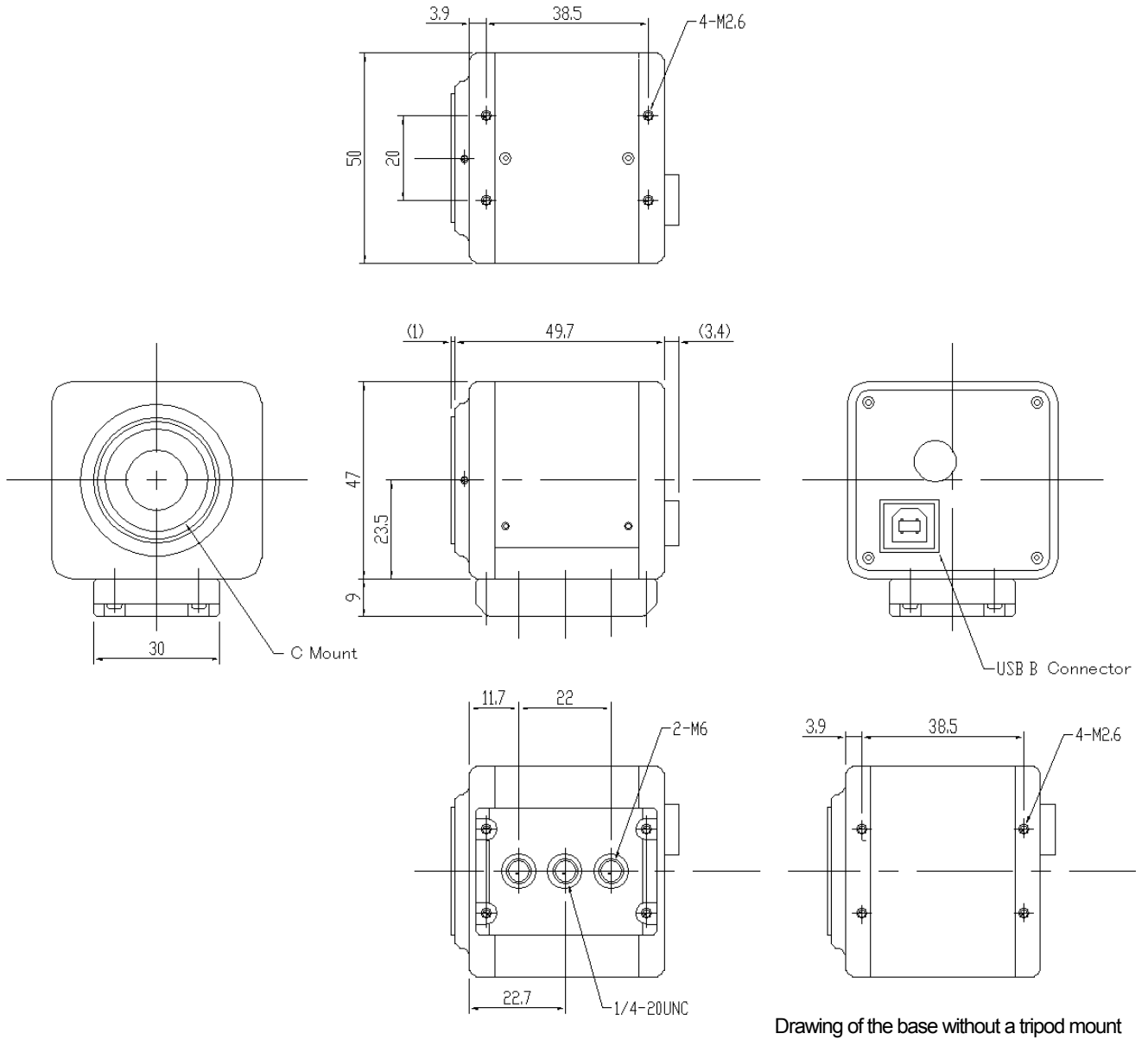


## 6. Specifications

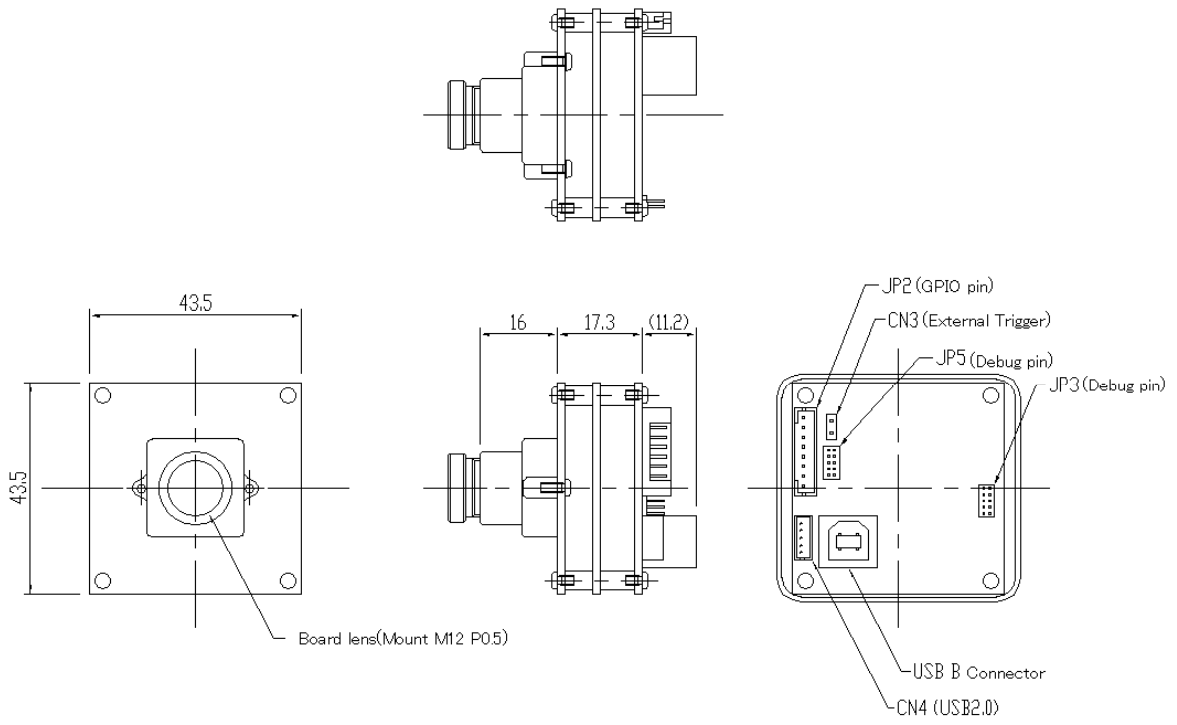
	ARTCAM- 407UV-WOM 407UV-WOM-OP 407UV-WOM-OP-CM
Sensor Type	CCD Monochrome Image Sensor
Total Number Of Pixels	1434(H)×1050(V)
Number Of Effective Pixels	1392(H)×1040(V)
Resolution	1360(H)×1024(V)
Active Imager Size	6.47(H)×4.83(V)mm 1/2"
Scan Mode	Progressive Scan
Pixel Size	4.65(H)×4.65(V)μm
Shutter Type	Global Shutter
Frame Rate	12fps
Shutter Speed	1/58824~1/12.5s
Interface	USB2.0 Bulk Transfer
Synchronization System	Internal Synchronization
Lens Mount	C Mount(407UV-WOM, 407UV-WOM-OP-CM) Board lens Mount M12 P0.5(407UV-WOM-OP)
Power	DC5V(Supplied by USB port)
Power Consumption	Under Approx.2W
Ambient Conditions	Operating Temperature/Humidity : 0~35°C/10~80%(Non condensing)
External Dimensions	50(W)×47(H)×49.7(D)mm(407UV-WOM) 43.5(W)×43.5(H)×33.3(D)mm(407UV-WOM-OP) 50(W)×47(H)×36.7(D)mm(407UV-WOM-OP-CM) *Lens and tripod mount not included
Weight	Approx.120g(407UV-WOM) Approx.50g(407UV-WOM-OP) Approx.80g(407UV-WOM-OP-CM) *Lens, tripod mount and cable not included

# 7. External Dimensions

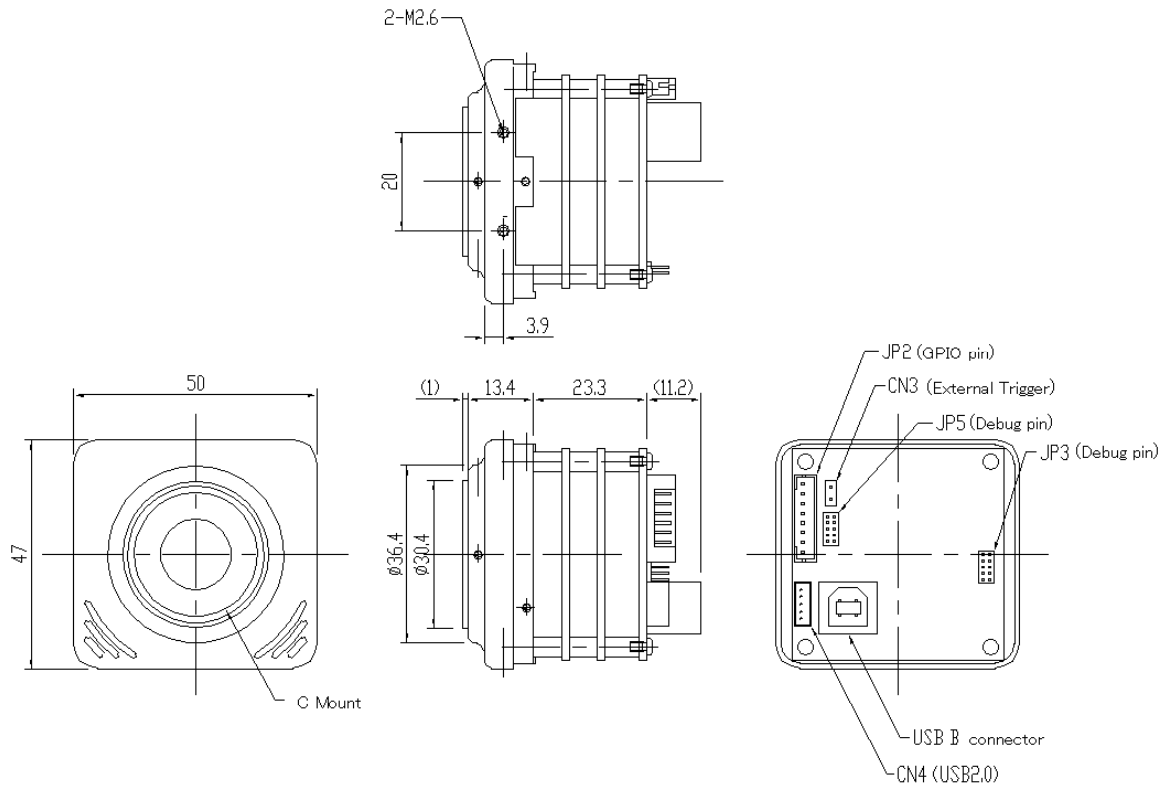
## 7-1 C-MOUNT, CASED, USB CABLE TYPE ARTCAM-407UV-WOM



7-2 BOARD LENS, BOARD TYPE  
ARTCAM-407UV-WOM-OP

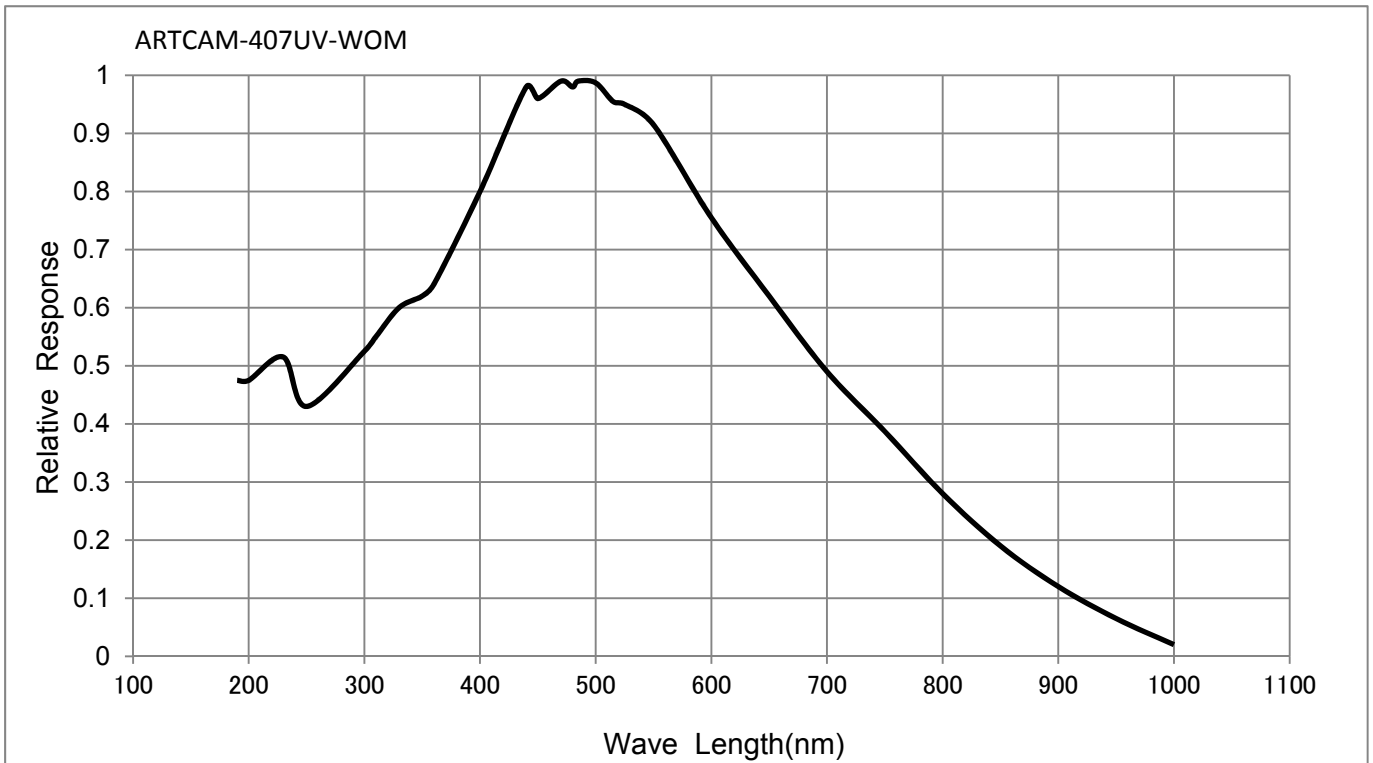


7-3 C-MOUNT, BOARD TYPE  
ARTCAM-407UV-WOM-OP-CM



## 8. Spectral Sensitivity Characteristics

### 8.1 ARTCAM-407UV-WOM series

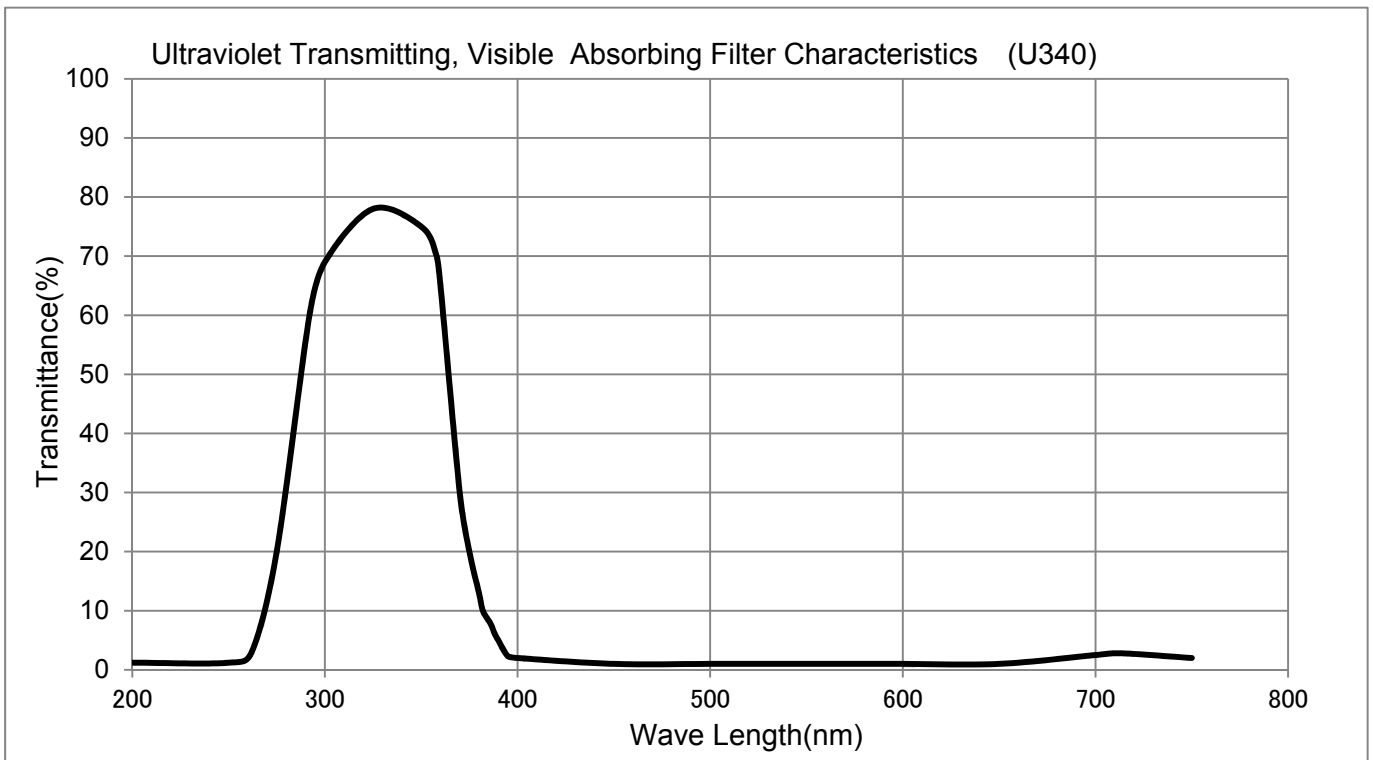


## 9. Ultraviolet (UV) Transmitting, Visible Absorbing Filter Characteristics

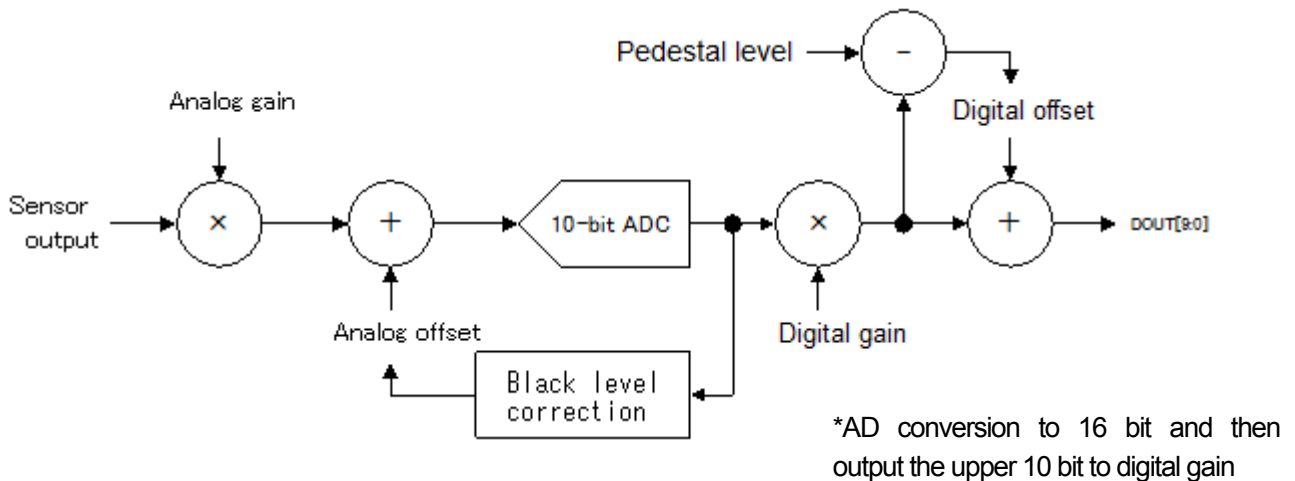
ARTCAM-407UV-WOM is adopting UV transmitting, visible absorbing filter U340.

Please review the image sensor graph of wave length characteristic together for detailed information.

\*A model without filter is available.



## 10. AD Conversion (ARTCAM-WOM series)



### 10-1 Standard functions (configurable in standard viewer/SDK)

- Digital gain

Global gain (digital gain) can be configured with the standard viewer software or SDK.

Setting range on standard viewer software: 0 – 1023

Default value on standard viewer software: 512

Digital gain = gain value x 0.03125 – 6.0 (dB)

Example 1: When default value is 512,

Analog gain =  $512 \times 0.03125 - 6.0 = 10(\text{dB})$

### 10-2 Optional functions (please contact us for further details.)

- Analog gain:

Can be set to 3dB, 0dB, 6dB, 12dB or 18dB

- Black level correction

By default, black level correction is set automatically, and the Pedestal level is set to 32 at 10bit.

(When output is at 8bit, the Pedestal level is approximately  $32 / 4 = 8$ .)

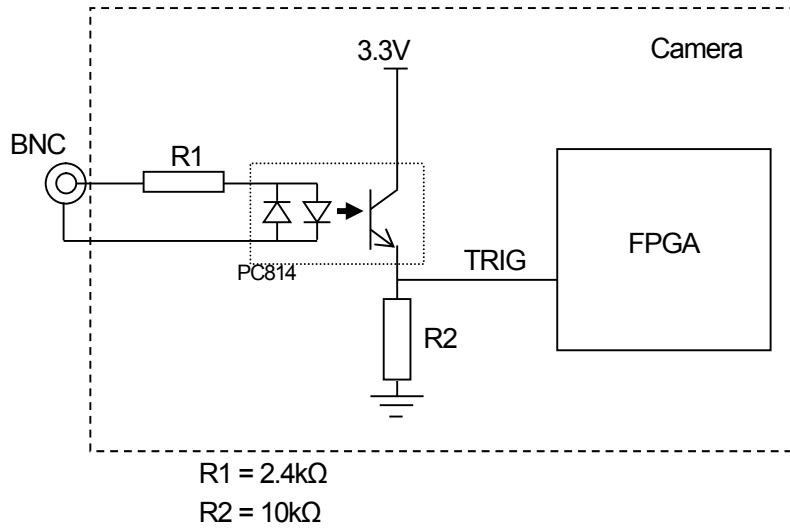
The target value of Pedestal level (32) can also be modified.

# 11. Optional Functions

## 11-1 Trigger Input

ARTCAM-WOM series are designed with external trigger.

**Trigger Input Circuit**



## 11-2 GPIO

GPIO option is available upon request before the delivery of the ARTCAM-WOM series.

Pin assign

No.	Function
1	GPIO_0
2	GPIO_1
3	GPIO_2
4	VCC(3.3V) Maximum output 50mA
5	GPIO_3
6	GPIO_4
7	GPIO_5
8	Gnd

- Each of the six GPIO pins is pulled up to 3.3V with 1kΩ on the circuit board and is connected to the IO pins on FPGA.

- When GPIO pins are used as output pins, the FPGA output is driven at high impedance and Low level.  
(At the time of power-up: high impedance)

To control GPIO, please use the ArtCam\_SetIOPort / GetIOPort functions in SDK.

To control GPIO output, please specify the corresponding OR calculated values of each bit as per the table below to the second argument of the SetIOPort function.

IO pin	Bit
GPIO_0	0x01
GPIO_1	0x02
GPIO_2	0x04
GPIO_3	0x08
GPIO_4	0x10
GPIO_5	0x20

For example, to have GPIO\_0, GPIO\_1, GPIO\_4 output High(Z) and GPIO\_2, GPIO\_3, GPIO\_5 output Low, please call this as follows:

```
ArtCam_SetIOPort(hACam, (0x01 | 0x02 | 0x10), 0, 0);
```

To read the GPIO pins, BYTE-type values can be gotten with the GetIOPort function.

For example, to get the status on GPIO\_4 pin, please call the followings:

```
BYTE data = 0x00;  
ArtCam_GetIOPort(hACam, &data, 0, 0);  
BOOL gpio4 = (data & 0x10) ? TRUE : FALSE;
```

And the BOOL-type variable gpio4 of GPIO\_4 pin is gotten

- Extensions

Monitoring the vertical synchronization signals, horizontal synchronization signals, strobe signals, and trigger signals on the sensor are possible as extensions of the GPIO option. (Optional)



## 12. System Requirements

### 12-1 Recommended System Requirements

- Host Controller

This camera is applicable to USB 2.0.

- CPU

The driver of this camera is applicable to computer architecture “x86” or “amd64”.

The specification of CPU effects directly the imaging process speed, therefore it is highly recommended to utilize a high-end CPU if possible.

- Memory

In the viewer software, there is a data buffer which can store 4 to 8 frames.

Therefore, it is necessary to keep spare space at least for 8 frames in the memory.

(For example, when using 1.3MP color camera,  $1280 \times 1024 \times 3 \times 8$  [byte] = 30[MB] is necessary.)

It is highly recommended to keep enough memory space especially when using high resolution camera.

- OS

This camera is applicable only to the architecture of Windows NT (32bit/64bit).

Standard functions are confirmed with OS after Windows.

In addition, it is recommended to use Windows 10.



## Caution

■Please refer the restrictions below when you use ARTCAM series.

### (1) Recommended System Requirements

If the system specifications do not meet the requirements recommended above, it may be difficult to run at the maximum frame rate.

### (2) Connection of Multiple USB Devices

When connecting multiple USB devices to one USB host controller, some USB device may fail to function stably depending on the specifications of the host controller.

(Problem of power supply, data transfer bandwidth, etc.)

To avoid power supply problem, it is recommended to use powered USB hub.

### (3) USB2.0 Cable Extension

We cannot guarantee the functionality of the USB2.0 camera if the user adopts USB2.0 extension cables or repeaters which are not confirmed by us. With the extension cables or repeaters, the bandwidth of transfer may differ, and thus caused malfunctions such as a low frame rate or recognition failure on the camera.

What may cause the problem is that the regulation of the power lines becomes not enough, and so causes impedance mismatch on data signals.

\*For the recommended extension cable, please contact our sales department.

(TEL: +81-3389-5488)

ARTRAY CO., LTD. Obtained ISO 9001: 2015 2018/9/17

1-17-5 Kouenjikita, Suginami-ku, Tokyo 166-0002 Japan

Tel : +81-3-3389-5488 Fax : +81-3-3389-5486

Email : sales@artray.us URL : www.artray.us